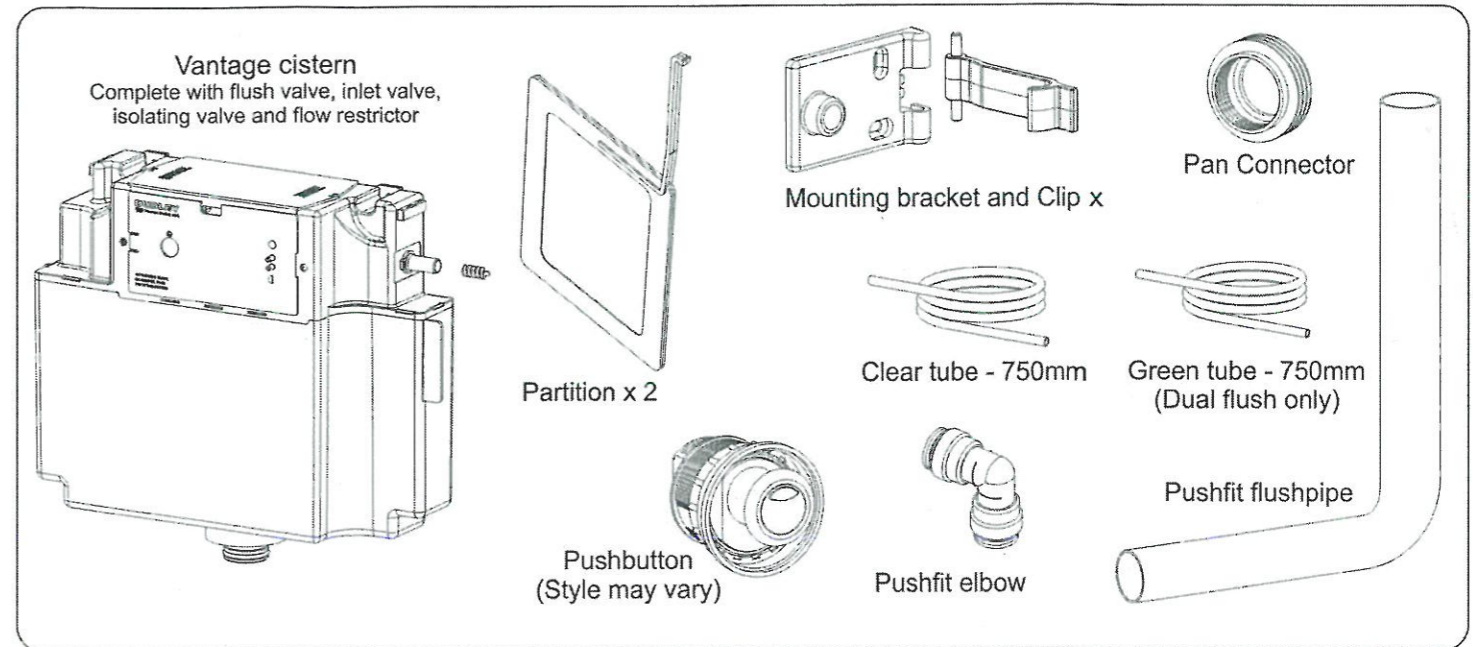
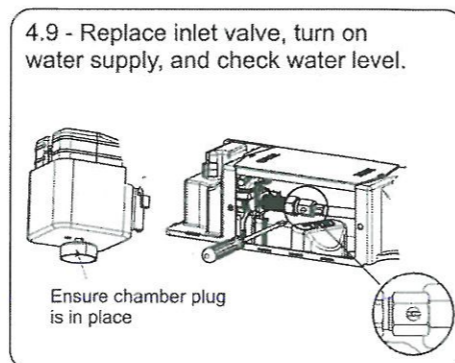
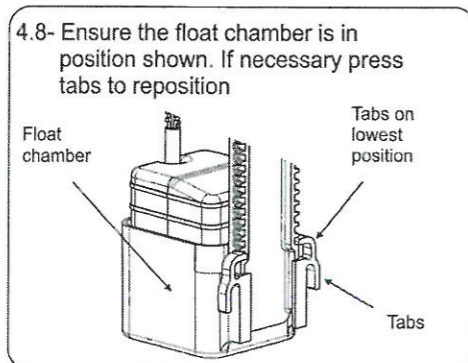
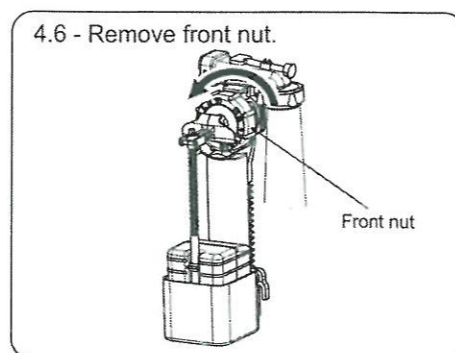
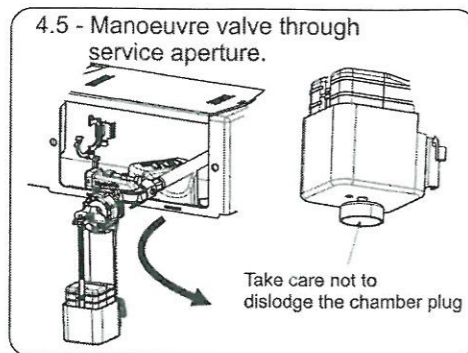
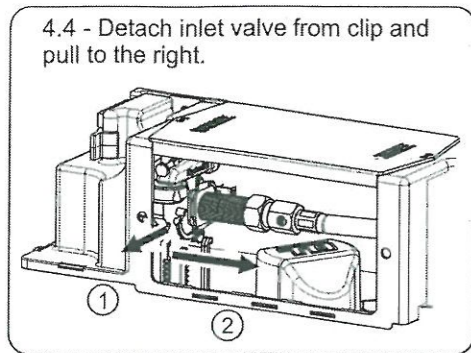
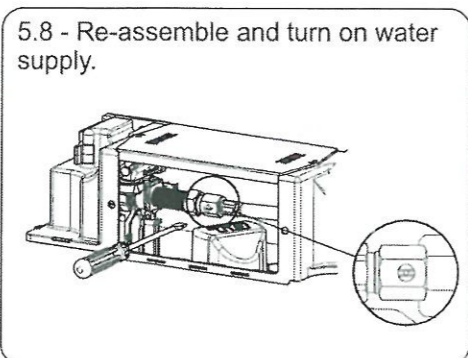
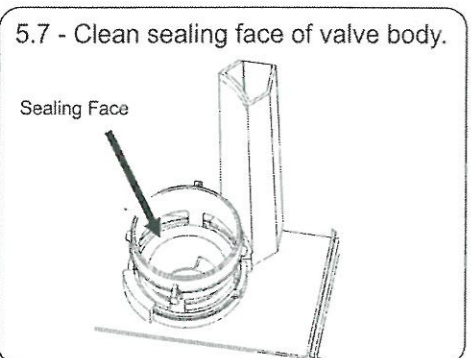
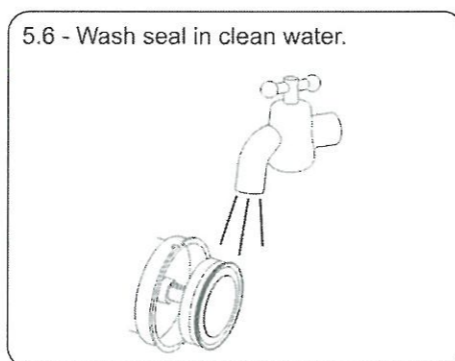
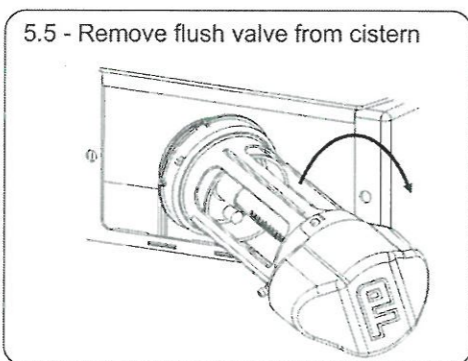
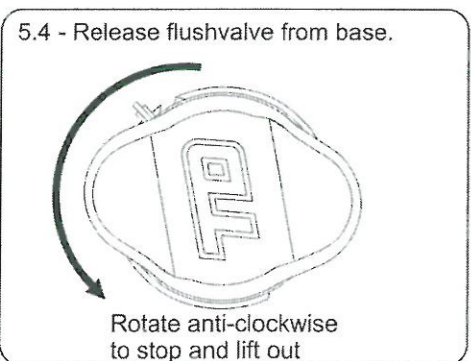
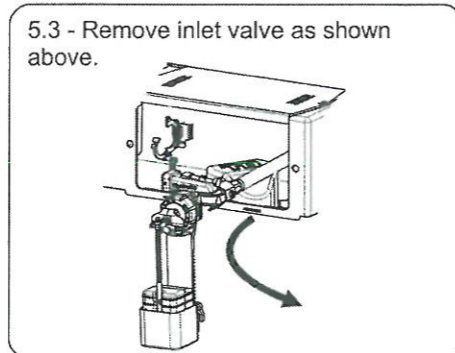
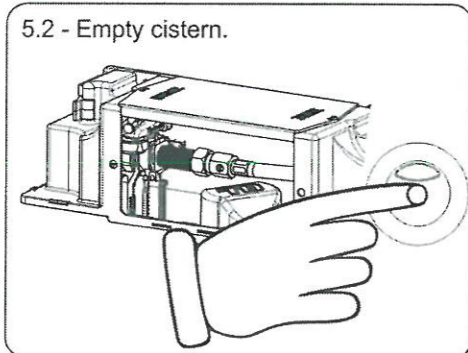
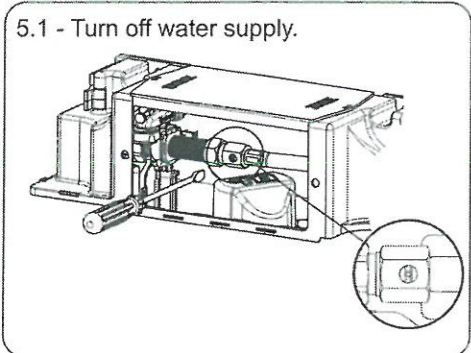


(Please leave this instruction leaflet with the end user)

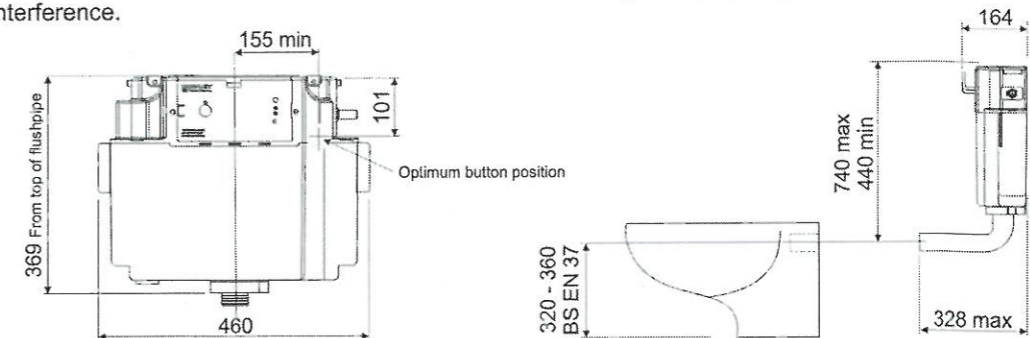


5 - Maintenance of the outlet valve -

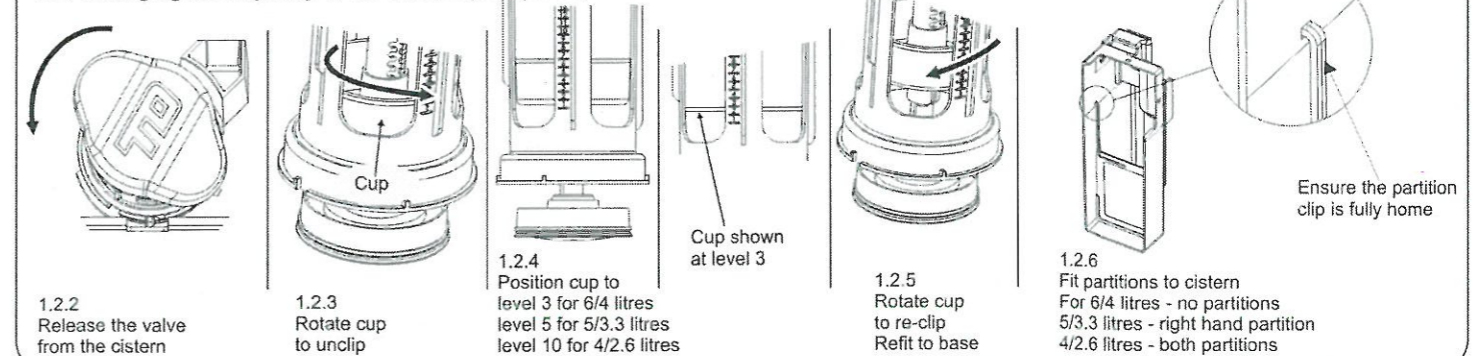


1 - Fitting the Vantage cistern -

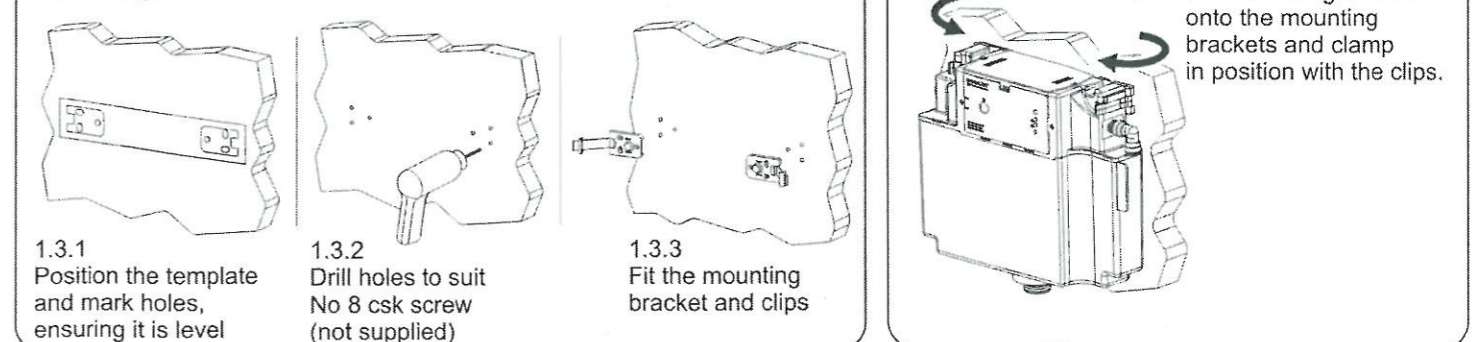
1.1 - Prior to installation ensure there is sufficient room for the Vantage and any support frame, push button etc. to be fitted without interference.



1.2. Changing the capacity of the cistern (if required)



1.3 - Fitting the mounting brackets

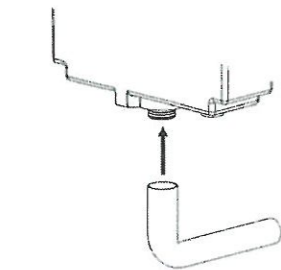


Important: Only use genuine Dudley spares or replacement parts

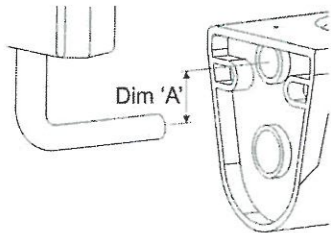
TD Thomas Dudley Ltd
PLASTIC CISTERN MANUFACTURERS
Dauntless Works, P.O.Box 28, Birmingham New Road, Dudley, West Midlands, DY1 4SN
Telephone: 0121 530 7000 Fax: 0121 557 5345
E-mail: sales@thomasdudley.co.uk

2 - Fitting the flushpipe -

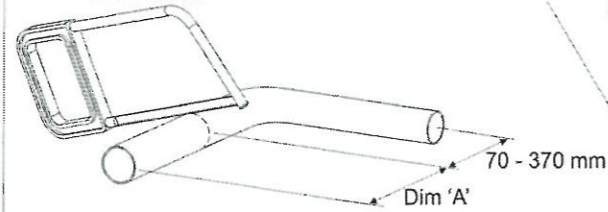
2.1 - Push the pipe onto the spigot over the 2 'O' rings.



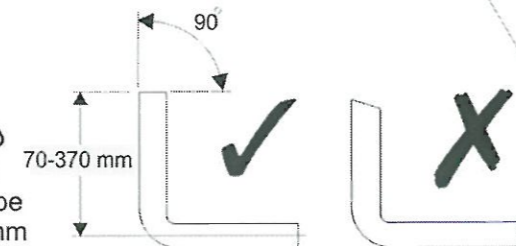
2.1.2 - Measure dimension 'A'.



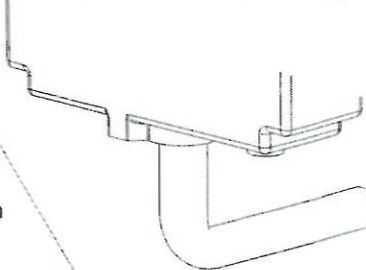
2.1.3 - Remove the pipe and cut dim 'A' from the larger diameter end of the pipe. Ensure pipe is cut straight and is free from burrs.



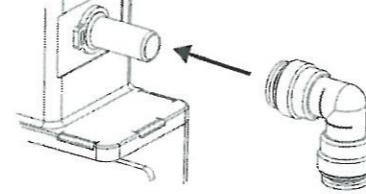
WARNING
Do not cut pipe less than 70mm



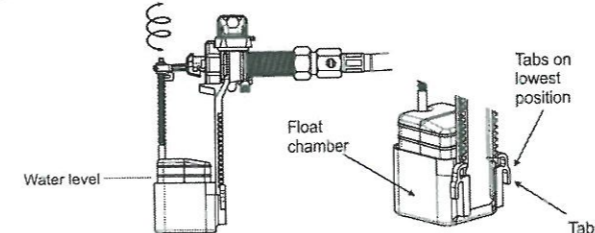
2.2 - Re-fit the pipe onto the cistern over the 2 'O' rings.



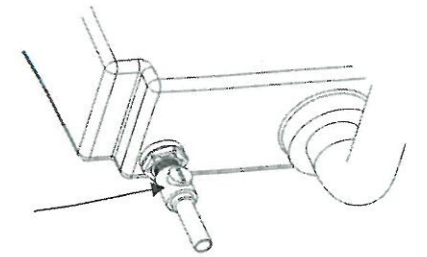
3.3 - Fit the pushfit elbow until fully home to the stop (can be connected to 15mm plastic pipe with insert or copper pipe).



3.5 - Check the water level - Adjust slightly if necessary by rotating the float. Ensure the float chamber is in the position shown



3.4 - Bottom Entry Cisterns



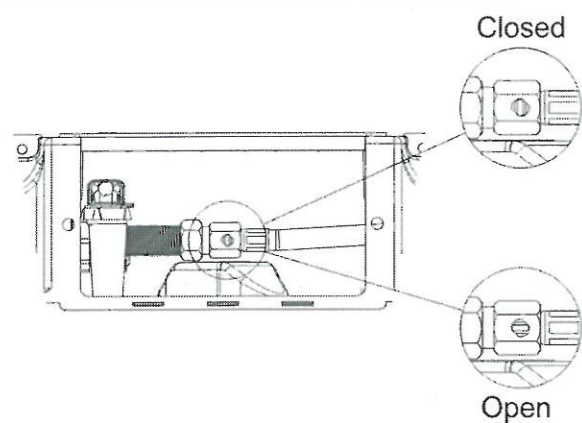
A servicing valve should be fitted at or near the tail of the inlet valve

WARNING !

No sealing compound, paste, flux or solvent to be used in contact with plastic or rubber surfaces, to avoid damage to plastic components. Rubber washers / 'O' rings should provide adequate seal. PTFE tape may be used on threads. Do not overtighten plastic nuts. **No chemical block / additive to be put in this cistern.**

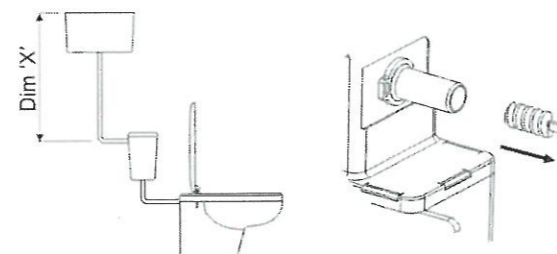
3 - Plumbing the cistern -

3.1 - The Vantage cistern comes as standard with an internal isolating valve (factory set to closed).



3.2 - Use of the flow restrictor (restrictor is factory fitted).

USE OF FLOW RESTRICTOR		
TANK FED	DIM 'X' >50 FEET	✓
TANK FED	DIM 'X' <50 FEET	X
MAINS FED	PRESSURE >1.5 BAR (25PSI)	✓
MAINS FED	PRESSURE <1.5 BAR (25PSI)	X

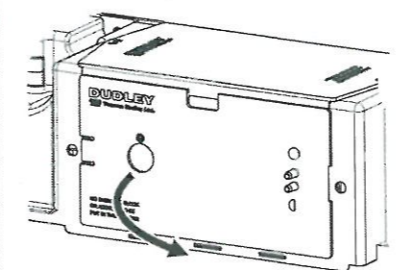


FINAL INSTALLATION CHECK LIST.

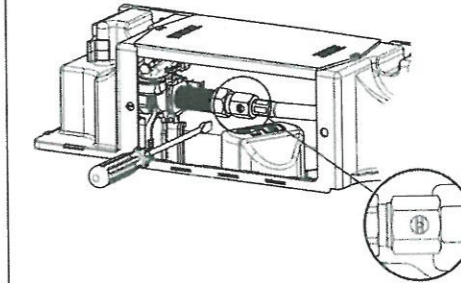
- Check all moving components operate freely and the inlet valve shuts off correctly.
- If overflowing or poor flushing subsequently occurs, first check that the float and arm move freely up and down and the water level is correct.
- Check all joints are tightened correctly.
- Check carefully for leaks.
- Hold the inlet valve float down, causing the cistern to internally overflow. Ensure the warning pipe is capable of discharging all incoming water, without the cistern overflowing. If water does overflow make sure the flow restrictor is fitted. If overflowing persists, contact *Technical Help* at Thomas Dudley Ltd. 0121 530 7032

4 - Maintenance of the inlet valve -

4.1 - Remove service cover



4.2 - Turn off water supply.



4.3 - Release the inlet valve mounting clip

